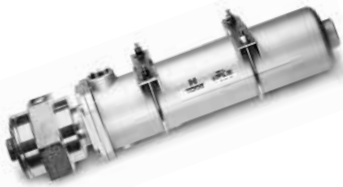


Industrial Tank Heaters

1500 - 5000 watt
Hazardous Location
Single Phase



EE Model without thermostat.



EE Model assembled with thermostat.

Ambient Above -20° F	Ambient Below -20° F	Model Number without Thermostat	Fig.* No.	Model Number with Thermostat (see chart 1)	Fig.* No.	Volt	Watt	Ø	Amp
500 Cubic Inch or Less	300 Cubic Inch or Less	EE115100-000	1	EE1151XX-000	2	120	1500	1	12.5
		EE115800-000	1	EE1158XX-000	2	208	1500	1	7.2
		EE115200-000	1	EE1152XX-000	2	240	1500	1	6.3
		EE115700-000	1	EE1157XX-000	2	277	1500	1	5.4
		EE115300-000	1	EE1153XX-000	2	380	1500	1	3.9
		EE115400-000	1	EE1154XX-000	2	480	1500	1	3.1
		EE115500-000	1	EE1155XX-000	2	575	1500	1	2.6
500 - 600 Cubic Inch or Less	300 - 400 Cubic Inch or Less	EE120100-000	1	EE1201XX-000	2	120	2000	1	16.7
		EE120800-000	1	EE1208XX-000	2	208	2000	1	9.6
		EE120200-000	1	EE1202XX-000	2	240	2000	1	8.3
		EE120300-000	1	EE1203XX-000	2	380	2000	1	5.3
		EE120400-000	1	EE1204XX-000	2	480	2000	1	4.2
		EE120500-000	1	EE1205XX-000	2	575	2000	1	3.5
600 - 800 Cubic Inch or Less	400 - 500 Cubic Inch or Less	EE125100-000	1	EE1251XX-000	2	120	2500	1	20.8
		EE125800-000	1	EE1258XX-000	2	208	2500	1	12.0
		EE125200-000	1	EE1252XX-000	2	240	2500	1	10.4
		EE125700-000	1	EE1257XX-000	2	277	2500	1	9.2
		EE125300-000	1	EE1253XX-000	2	380	2500	1	6.6
		EE125400-000	1	EE1254XX-000	2	480	2500	1	5.2
		EE125500-000	1	EE1255XX-000	2	575	2500	1	4.3
800 - 1000 Cubic Inch or Less	500 - 600 Cubic Inch or Less	EE130100-000	1	EE1301XX-000	2	120	3000	1	25.0
		EE130800-000	1	EE1308XX-000	2	208	3000	1	14.4
		EE130200-000	1	EE1302XX-000	2	240	3000	1	12.5
		EE130700-000	1	EE1307XX-000	2	277	3000	1	10.8
		EE130300-000	1	EE1303XX-000	2	380	3000	1	7.9
		EE130400-000	1	EE1304XX-000	2	480	3000	1	6.3
		EE130500-000	1	EE1305XX-000	2	575	3000	1	5.2
1000 - 1350 Cubic Inch or Less	600 - 800 Cubic Inch or Less	EE140800-000	1	EE1408XX-000	2	208	4000	1	19.2
		EE140200-000	1	EE1402XX-000	2	240	4000	1	16.7
		EE140700-000	1	EE1407XX-000	2	277	4000	1	14.4
		EE140300-000	1	EE1403XX-000	2	380	4000	1	10.5
		EE140400-000	1	EE1404XX-000	2	480	4000	1	8.3
		EE140500-000	1	EE1405XX-000	2	575	4000	1	7.0
1350 - 1650 Cubic Inch or Less	800 - 1000 Cubic Inch or Less	EE150800-000	1	EE1508XX-000	2	208	5000	1	24.0
		EE150200-000	1	EE1502XX-000	2	240	5000	1	20.8
		EE150700-000	1	EE1507XX-000	2	277	5000	1	18.1
		EE150300-000	1	EE1503XX-000	2	380	5000	1	13.2
		EE150400-000	1	EE1504XX-000	2	480	5000	1	10.4
		EE150500-000	1	EE1505XX-000	2	575	5000	1	8.7

*Figure Number refers to technical drawings of heaters located on page 24.

INSTALLATION TIPS	
For the use of 3/4" or 1" ID heater hose, hose barb adapters are available. See below.	
Part Number	Description
HB-1	1" NPT to 1" hose barb adapter. Installs in 1" NPT female inlet or outlet of the heater.
HB-3/4	1" NPT to 3/4" hose barb adapter. Installs in 1" NPT female inlet or outlet of the heater.

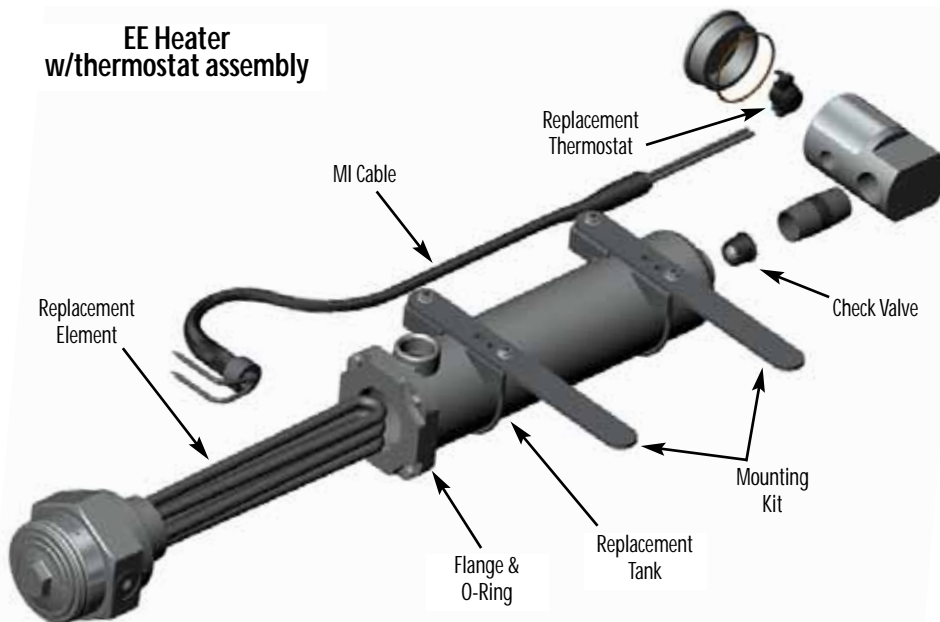
CHART 1			
HEATERS WITH THERMOSTATS			
To specify temperature range of thermostat, insert numerical code from chart in place of the XX in model number.			
Example:			
Desired Temperature Range 100° - 120°F			
Catalog Number: Model EE1151XX-000			
Order as: Model EE115110-000			
All heaters over 277v and all 3Ø units must use a control box See Control Systems page 38	TEMPERATURE RANGE		NUMERICAL CODE
	ON	OFF	
	60°F	80°F	06
	80°F	100°F	08
	100°F	120°F	10
120°F	140°F	12	
140°F	160°F	14	

Replacement Parts

For tank-style heaters shown on page 20

Model Number	Volts	Watts	Replaceable Parts						
			Element	MI Cable	Tank	Flange	Flange O-ring	Mount Kit	Check Valve
EE115100-000	120	1500	REEE1151	PRP104202-024	RTL	RF-L	TML-OR	FK6	RV-M
EE115800-000	208	1500	REEE1158	PRP104202-024	RTL	RF-L	TML-OR	FK6	RV-M
EE115200-000	240	1500	REEE1152	PRP104202-024	RTL	RF-L	TML-OR	FK6	RV-M
EE115700-000	277	1500	REEE1157	PRP104202-024	RTL	RF-L	TML-OR	FK6	RV-M
EE115300-000	380	1500	E01531E-50NA-00	PRP104202-024	RTL	RF-L	TML-OR	FK6	RV-M
EE115400-000	480	1500	E01541E-50NA-00	PRP104202-024	RTL	RF-L	TML-OR	FK6	RV-M
EE115500-000	575	1500	E01551E-50NA-00	PRP104202-024	RTL	RF-L	TML-OR	FK6	RV-M
EE120100-000	120	2000	REEE1201	PRP104202-024	RTL	RF-L	TML-OR	FK6	RV-M
EE120800-000	208	2000	REEE1208	PRP104202-024	RTL	RF-L	TML-OR	FK6	RV-M
EE120200-000	240	2000	REEE1202	PRP104202-024	RTL	RF-L	TML-OR	FK6	RV-M
EE120300-000	380	2000	E02031E-50NA-00	PRP104202-024	RTL	RF-L	TML-OR	FK6	RV-M
EE120400-000	480	2000	E02041E-50NA-00	PRP104202-024	RTL	RF-L	TML-OR	FK6	RV-M
EE120500-000	575	2000	E02051E-50NA-00	PRP104202-024	RTL	RF-L	TML-OR	FK6	RV-M
EE125100-000	120	2500	REEE1251	PRP104202-024	RTL	RF-L	TML-OR	FK6	RV-M
EE125800-000	208	2500	REEE1258	PRP104202-024	RTL	RF-L	TML-OR	FK6	RV-M
EE125200-000	240	2500	REEE1252	PRP104202-024	RTL	RF-L	TML-OR	FK6	RV-M
EE125700-000	277	2500	REEE1257	PRP104202-024	RTL	RF-L	TML-OR	FK6	RV-M
EE125300-000	380	2500	E02531E-C0NA-00	PRP104202-024	RTL	RF-L	TML-OR	FK6	RV-M
EE125400-000	480	2500	E02541E-C0NA-00	PRP104202-024	RTL	RF-L	TML-OR	FK6	RV-M
EE125500-000	575	2500	E02551E-C0NA-00	PRP104202-024	RTL	RF-L	TML-OR	FK6	RV-M
EE130100-000	120	3000	REEE1301	PRP104202-024	RTL	RF-L	TML-OR	FK6	RV-M
EE130800-000	208	3000	REEE1308	PRP104202-024	RTL	RF-L	TML-OR	FK6	RV-M
EE130200-000	240	3000	REEE1302	PRP104202-024	RTL	RF-L	TML-OR	FK6	RV-M
EE130700-000	277	3000	REEE1307	PRP104202-024	RTL	RF-L	TML-OR	FK6	RV-M
EE130300-000	380	3000	E03031E-50NA-00	PRP104202-024	RTL	RF-L	TML-OR	FK6	RV-M
EE130400-000	480	3000	E03041E-50NA-00	PRP104202-024	RTL	RF-L	TML-OR	FK6	RV-M
EE130500-000	575	3000	E03051E-50NA-00	PRP104202-024	RTL	RF-L	TML-OR	FK6	RV-M
EE140800-000	208	4000	REEE1408	PRP104202-024	RTL	RF-L	TML-OR	FK6	RV-M
EE140200-000	240	4000	REEE1402	PRP104202-024	RTL	RF-L	TML-OR	FK6	RV-M
EE140700-000	277	4000	REEE1407	PRP104202-024	RTL	RF-L	TML-OR	FK6	RV-M
EE140300-000	380	4000	E04031E-50NA-00	PRP104202-024	RTL	RF-L	TML-OR	FK6	RV-M
EE140400-000	480	4000	E04041E-50NA-00	PRP104202-024	RTL	RF-L	TML-OR	FK6	RV-M
EE140500-000	575	4000	E04051E-50NA-00	PRP104202-024	RTL	RF-L	TML-OR	FK6	RV-M
EE150800-000	208	5000	REEE1508	PRP104202-024	RTL	RF-L	TML-OR	FK6	RV-M
EE150200-000	240	5000	REEE1502	PRP104202-024	RTL	RF-L	TML-OR	FK6	RV-M
EE150700-000	277	5000	REEE1507	PRP104202-024	RTL	RF-L	TML-OR	FK6	RV-M
EE150300-000	380	5000	E05031E-C0NA-00	PRP104202-024	RTL	RF-L	TML-OR	FK6	RV-M
EE150400-000	480	5000	E05041E-C0NA-00	PRP104202-024	RTL	RF-L	TML-OR	FK6	RV-M
EE150500-000	575	5000	E05051E-C0NA-00	PRP104202-024	RTL	RF-L	TML-OR	FK6	RV-M

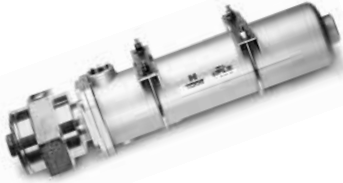
EE Heater w/thermostat assembly



Heaters with Thermostats		
Temperature Range		Thermostat Replacement
ON	OFF	
60°F	80°F	RSU6
80°F	100°F	RSU8
100°F	120°F	RSU10
120°F	140°F	RSU12
140°F	160°F	RSU14

Industrial Tank Heaters

1500 - 5000 watt
Hazardous Location
Three Phase



EE Model without thermostat.



EE Model assembled with thermostat.

Ambient Above -20° F	Ambient Below -20° F	Model Number without Thermostat	Fig.* No.	Model Number with Thermostat (see chart 1)	Fig.* No.	Volt	Watts	Ø	Amp
500 Cubic Inch or Less	300 Cubic Inch or Less	EE315800-000	1	EE3158XX-000	2	208	1500	3	4.2
		EE315200-000	1	EE3152XX-000	2	240	1500	3	3.6
		EE315400-000	1	EE3154XX-000	2	480	1500	3	1.8
500 - 600 Cubic Inch or Less	300 - 400 Cubic Inch or Less	EE320800-000	1	EE3208XX-000	2	208	2000	3	5.6
		EE320200-000	1	EE3202XX-000	2	240	2000	3	4.8
		EE320300-000	1	EE3203XX-000	2	380	2000	3	3.0
		EE320400-000	1	EE3204XX-000	2	480	2000	3	2.4
		EE320500-000	1	EE3205XX-000	2	575	2000	3	2.0
600 - 800 Cubic Inch or Less	400 - 500 Cubic Inch or Less	EE325800-000	1	EE3258XX-000	2	208	2500	3	6.9
		EE325200-000	1	EE3252XX-000	2	240	2500	3	6.0
		EE325300-000	1	EE3253XX-000	2	380	2500	3	3.8
		EE325400-000	1	EE3254XX-000	2	480	2500	3	3.0
		EE325500-000	1	EE3255XX-000	2	575	2500	3	2.5
800 - 1000 Cubic Inch or Less	500 - 600 Cubic Inch or Less	EE330800-000	1	EE3308XX-000	2	208	3000	3	8.3
		EE330200-000	1	EE3302XX-000	2	240	3000	3	7.2
		EE330300-000	1	EE3303XX-000	2	380	3000	3	4.6
		EE330400-000	1	EE3304XX-000	2	480	3000	3	3.6
		EE330500-000	1	EE3305XX-000	2	575	3000	3	3.0
1000 - 1350 Cubic Inch or Less	600 - 800 Cubic Inch or Less	EE340800-000	1	EE3408XX-000	2	208	4000	3	11.1
		EE340200-000	1	EE3402XX-000	2	240	4000	3	9.6
		EE340300-000	1	EE3403XX-000	2	380	4000	3	6.1
		EE340400-000	1	EE3404XX-000	2	480	4000	3	4.8
		EE340500-000	1	EE3405XX-000	2	575	4000	3	4.0
1350 - 1650 Cubic Inch or Less	800 - 1000 Cubic Inch or Less	EE350800-000	1	EE3508XX-000	2	208	5000	3	13.9
		EE350200-000	1	EE3502XX-000	2	240	5000	3	12.0
		EE350300-000	1	EE3503XX-000	2	380	5000	3	7.6
		EE350400-000	1	EE3504XX-000	2	480	5000	3	6.0
		EE350500-000	1	EE3505XX-000	2	575	5000	3	5.0

*Figure Number refers to technical drawings of heaters located on page 24.

INSTALLATION TIPS	
For the use of 3/4" or 1" ID heater hose, hose barb adapters are available. See below.	
Part Number	Description
HB-1	1" NPT to 1" hose barb adapter. Installs in 1" NPT female inlet or outlet of the heater.
HB-3/4	1" NPT to 3/4" hose barb adapter. Installs in 1" NPT female inlet or outlet of the heater.

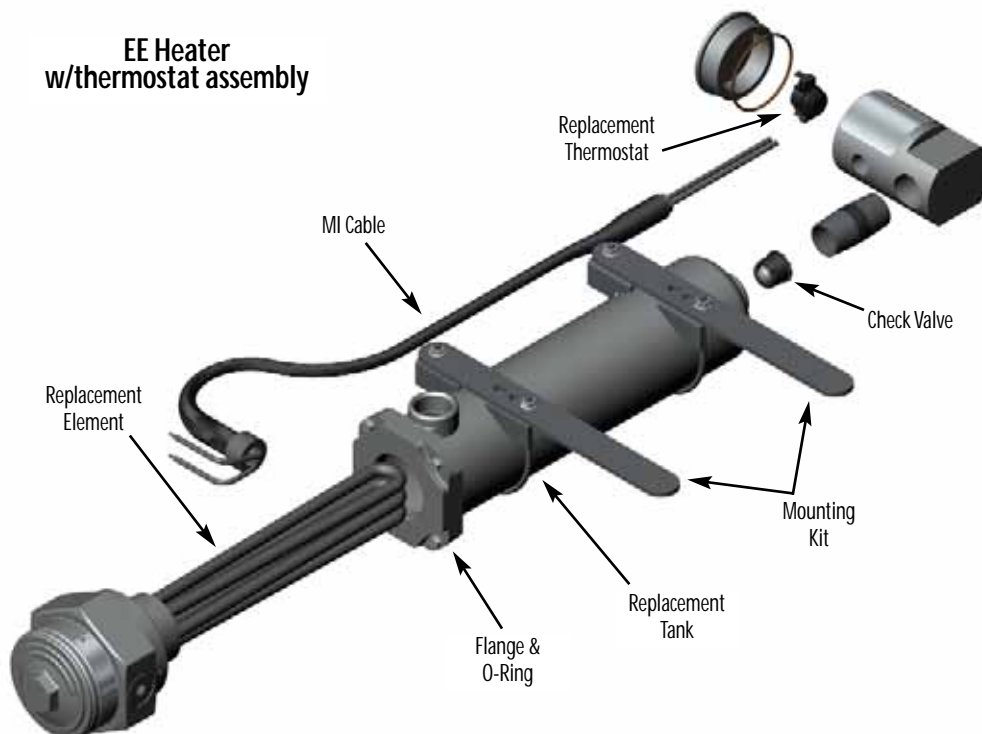
CHART 1			
HEATERS WITH THERMOSTATS			
To specify temperature range of thermostat, insert numerical code from chart in place of the XX in model number.			
Example:			
Desired Temperature Range 100° - 120°F			
Catalog Number: Model EE3152XX-000			
Order as: Model EE315210-000			
All heaters over 277v and all 3Ø units must use a control box See Control Systems page 38	TEMPERATURE RANGE		NUMERICAL CODE
	ON	OFF	
	60°F	80°F	06
	80°F	100°F	08
	100°F	120°F	10
120°F	140°F	12	
140°F	160°F	14	

Replacement Parts

For tank-style heaters shown on page 22

Model Number	Volts	Watts	Replaceable Parts						
			Element	MI Cable	Tank	Flange	Flange O-ring	Mount Kit	Check Valve
EE315800-000	208	1500	E01583E-15NA-00	PRP104202-024	RTL	RF-L	TML-OR	FK6	RV-M
EE315200-000	240	1500	E01523E-15NA-00	PRP104202-024	RTL	RF-L	TML-OR	FK6	RV-M
EE315400-000	480	1500	E01543E-15NA-00	PRP104202-024	RTL	RF-L	TML-OR	FK6	RV-M
EE320800-000	208	2000	E02083E-25NA-00	PRP104202-024	RTL	RF-L	TML-OR	FK6	RV-M
EE320200-000	240	2000	E02023E-25NA-00	PRP104202-024	RTL	RF-L	TML-OR	FK6	RV-M
EE320300-000	380	2000	E02033E-25NA-00	PRP104202-024	RTL	RF-L	TML-OR	FK6	RV-M
EE320400-000	480	2000	E02043E-25NA-00	PRP104202-024	RTL	RF-L	TML-OR	FK6	RV-M
EE320500-000	575	2000	E02053E-25NA-00	PRP104202-024	RTL	RF-L	TML-OR	FK6	RV-M
EE325800-000	208	2500	E02583E-30NA-00	PRP104202-024	RTL	RF-L	TML-OR	FK6	RV-M
EE325200-000	240	2500	E02523E-30NA-00	PRP104202-024	RTL	RF-L	TML-OR	FK6	RV-M
EE325300-000	380	2500	E02533E-30NA-00	PRP104202-024	RTL	RF-L	TML-OR	FK6	RV-M
EE325400-000	480	2500	E02543E-30NA-00	PRP104202-024	RTL	RF-L	TML-OR	FK6	RV-M
EE325500-000	575	2500	E02553E-30NA-00	PRP104202-024	RTL	RF-L	TML-OR	FK6	RV-M
EE330800-000	208	3000	E03083E-30NA-00	PRP104202-024	RTL	RF-L	TML-OR	FK6	RV-M
EE330200-000	240	3000	E03023E-30NA-00	PRP104202-024	RTL	RF-L	TML-OR	FK6	RV-M
EE330300-000	380	3000	E03033E-30NA-00	PRP104202-024	RTL	RF-L	TML-OR	FK6	RV-M
EE330400-000	480	3000	E03043E-30NA-00	PRP104202-024	RTL	RF-L	TML-OR	FK6	RV-M
EE330500-000	575	3000	E03053E-30NA-00	PRP104202-024	RTL	RF-L	TML-OR	FK6	RV-M
EE340800-000	208	4000	E04083E-50NA-00	PRP104202-024	RTL	RF-L	TML-OR	FK6	RV-M
EE340200-000	240	4000	E04023E-50NA-00	PRP104202-024	RTL	RF-L	TML-OR	FK6	RV-M
EE340300-000	380	4000	E04033E-50NA-00	PRP104202-024	RTL	RF-L	TML-OR	FK6	RV-M
EE340400-000	480	4000	E04043E-50NA-00	PRP104202-024	RTL	RF-L	TML-OR	FK6	RV-M
EE340500-000	575	4000	E04053E-50NA-00	PRP104202-024	RTL	RF-L	TML-OR	FK6	RV-M
EE350800-000	208	5000	E05083E-50NA-00	PRP104202-024	RTL	RF-L	TML-OR	FK6	RV-M
EE350200-000	240	5000	E05023E-50NA-00	PRP104202-024	RTL	RF-L	TML-OR	FK6	RV-M
EE350300-000	380	5000	E05033E-50NA-00	PRP104202-024	RTL	RF-L	TML-OR	FK6	RV-M
EE350400-000	480	5000	E05043E-50NA-00	PRP104202-024	RTL	RF-L	TML-OR	FK6	RV-M
EE350500-000	575	5000	E05053E-50NA-00	PRP104202-024	RTL	RF-L	TML-OR	FK6	RV-M

EE Heater w/thermostat assembly

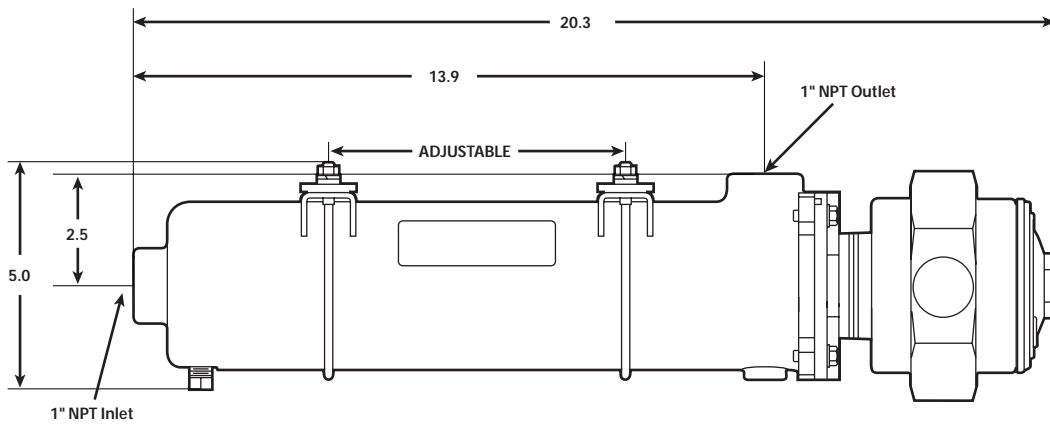


Heaters with Thermostats		
Temperature Range		Thermostat Replacement
ON	OFF	
60°F	80°F	RSU6
80°F	100°F	RSU8
100°F	120°F	RSU10
120°F	140°F	RSU12
140°F	160°F	RSU14

Technical Drawings

all dimensions in inches

FIGURE 1



EE Style Heater without thermostat (pg. 20 and 22)

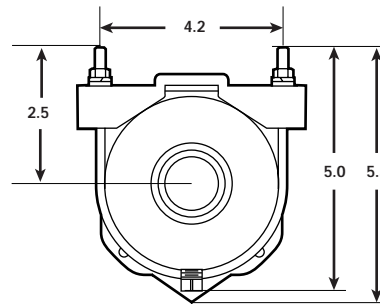
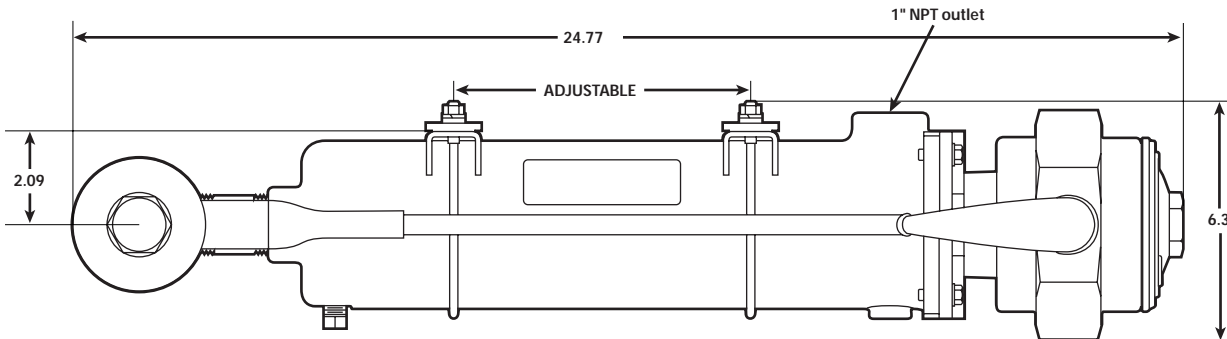


FIGURE 2



EE Style Heater with thermostat (pg. 20 and 22)

